

0000/LLZL6ZV

A

A

B

B

C

C

D

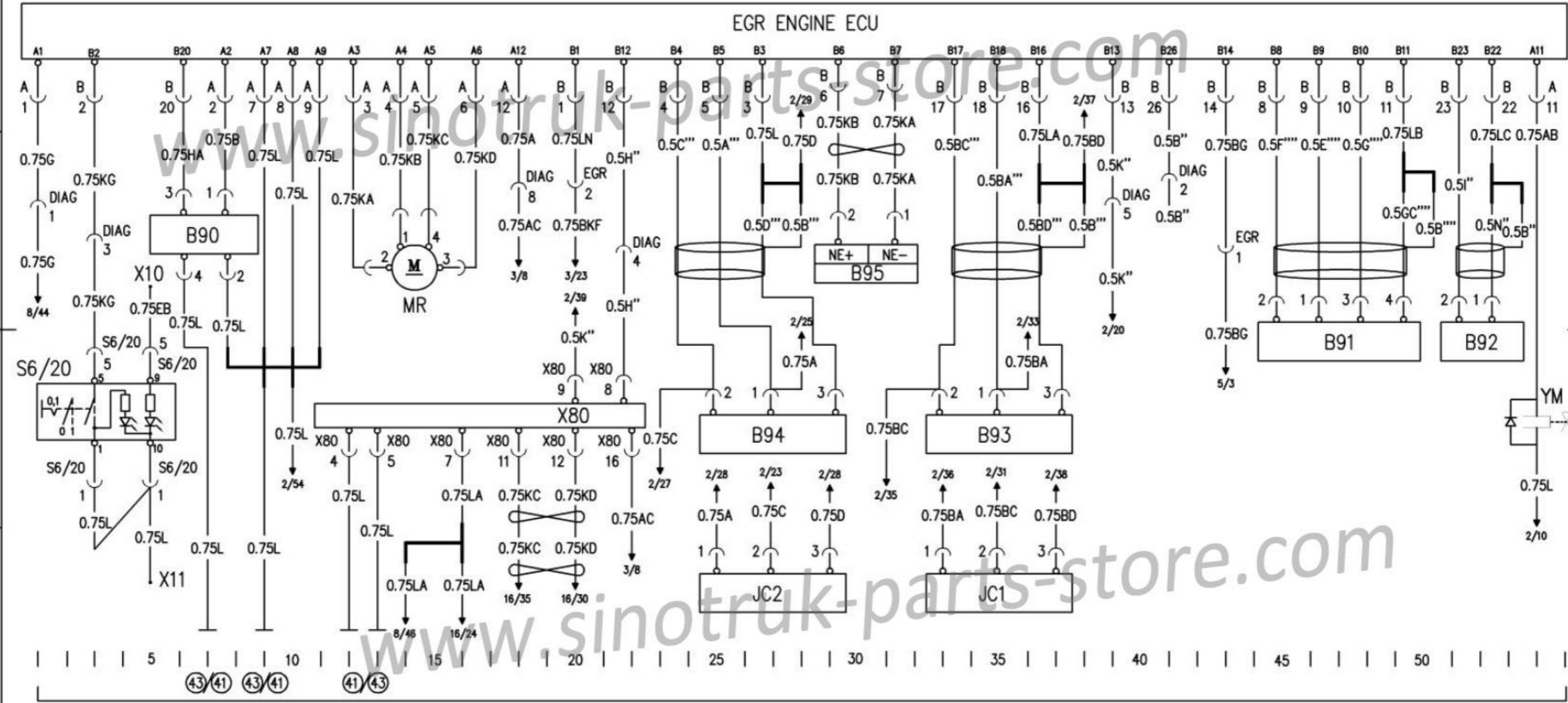
D

E

E

F

F



S6/20	ECU diagnostic switch
B91	Intake pressure temperature sensor
B92	Water temperature sensor
B93	Pre-travel sensor
B94	Throttle position sensor
B95	Speed sensor

X80	Diagnostic interface
MR	Pre-travel motor
JC1	Detection connector 1
JC2	Detection connector 2
B90	EGR solenoid valve assembly
YM	Oil pump solenoid valve

EGR 发动机 ECU 外围电路
EGR engine ECU peripheral circuit